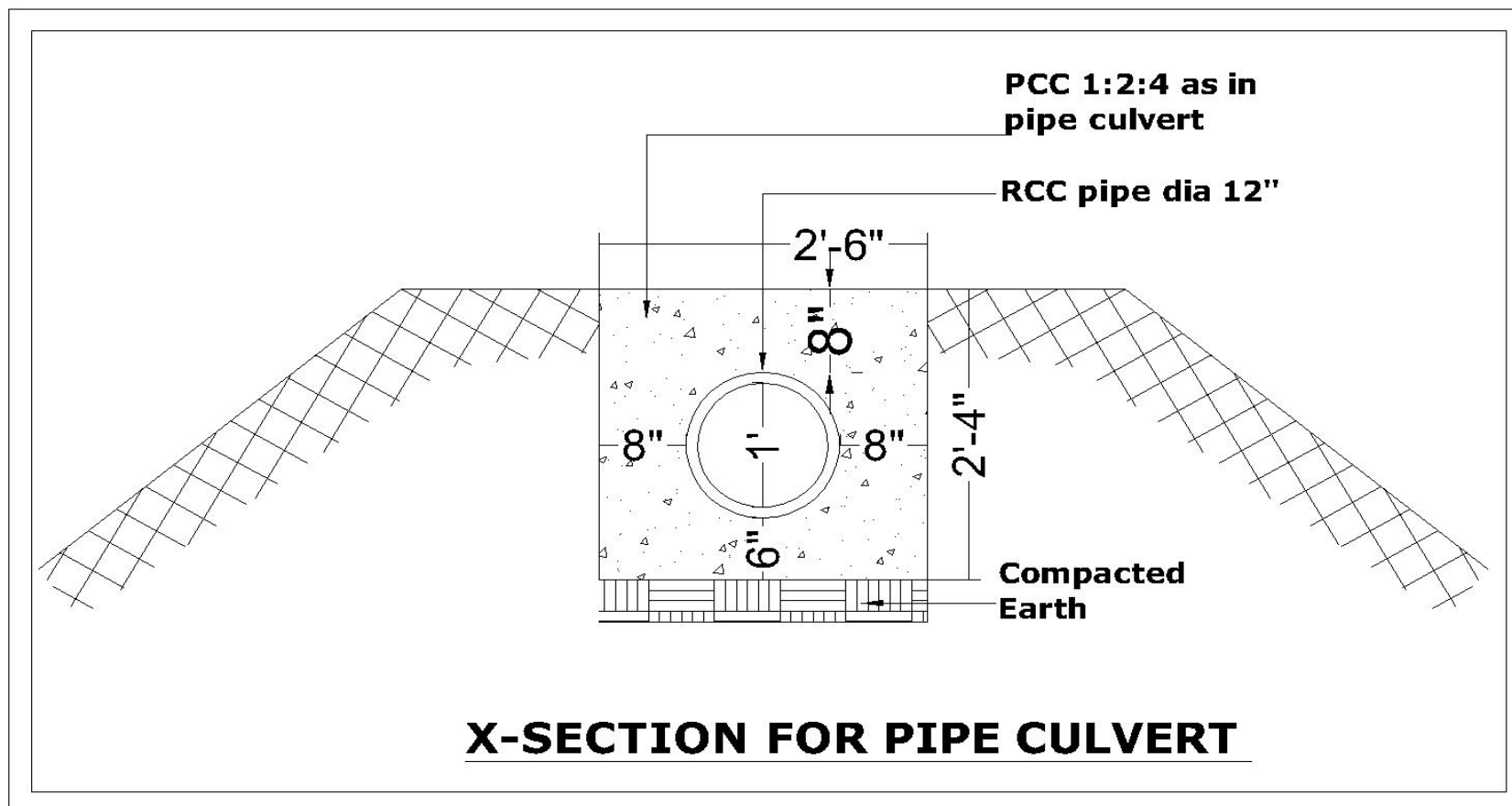


ISLAMIC RELIEF PAKISTAN



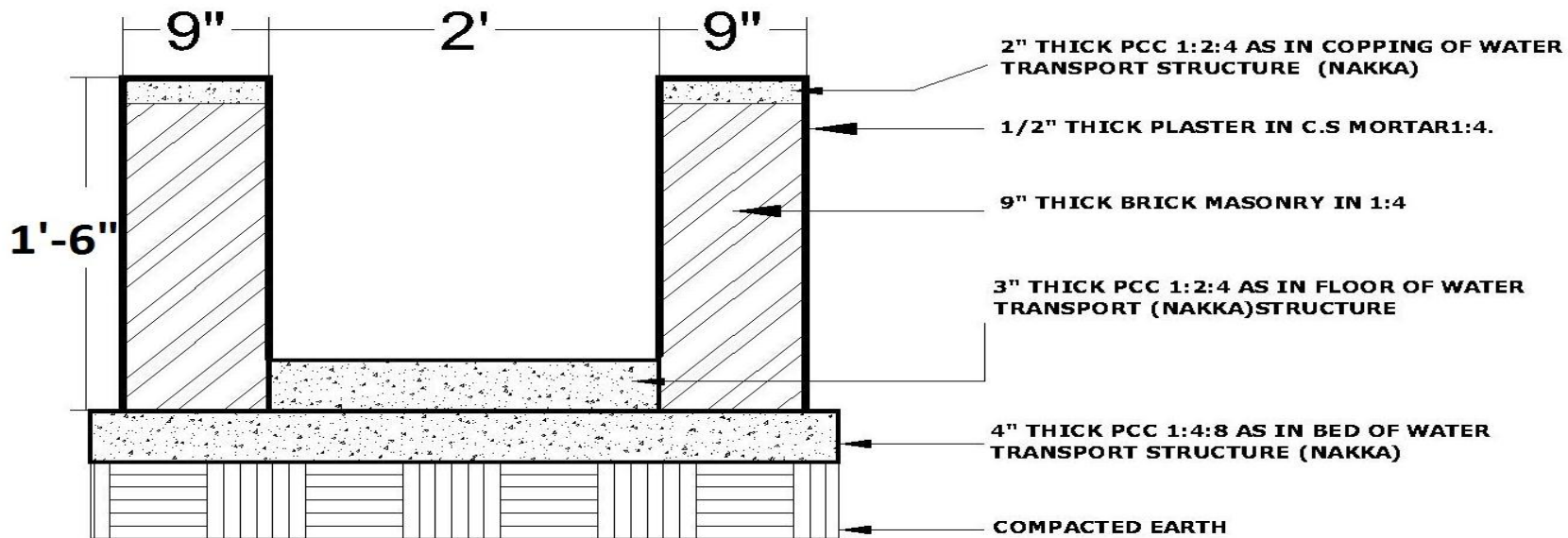
Cross Section of Pipe Culvert



ISLAMIC RELIEF PAKISTAN



Cross Section of Nakka's



X-SECTION FOR WATER TRANSPORT STRUCTURE (NAKKA)