

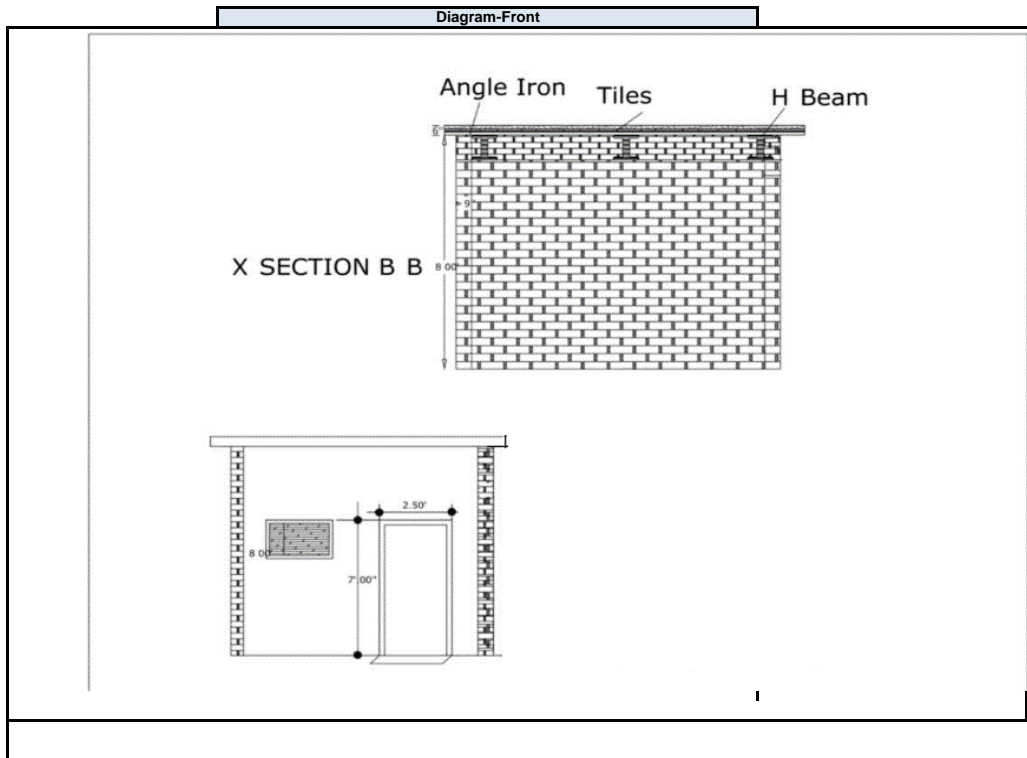
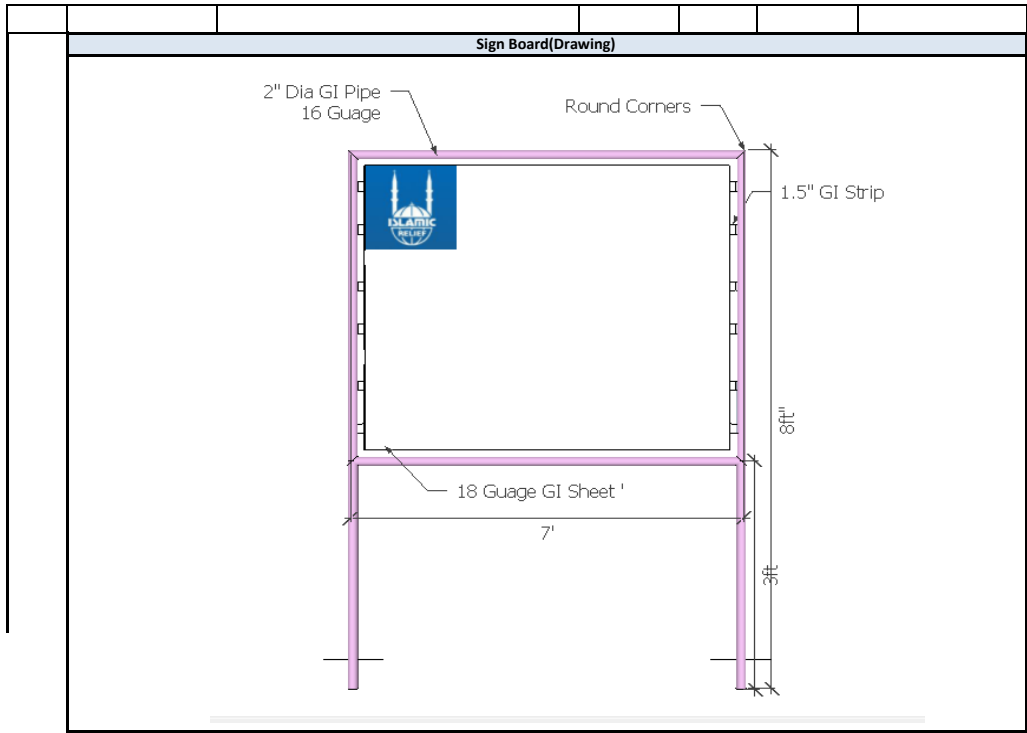
REPAIR AND REHABILITATION OF GOVT GIRLS HIGH SECONDARY SCHOOL KHARAN						
Estimate of Repair of Washrooms						
S.No.	Item	Specifications	Quantity	Unit	Rate	Amount
1	Dismantling	Dismantling of plain cement concrete(1:2:4) floors of two wash rooms. Including WC and door.	72.00	Cft		
2	Plain Cement Concrete (1:2:4)	Providing and laying plain machine mixed cement concrete using coarse sand and crushed aggregate having maximum size upto 1- 1/2" (38mm) & down gauge in foundation including levelling, compacting and curing.	36.00	Cft		
3	Ceramic Tiles	Providing and laying 1/4" to 3/8" (6mm to 9mm) thick Glazed/ Matt tiles of any colour and size in ground floor laid over 1" (25mm) thick cement sand mortar base including jointing and washing the tiles with white cement slurry of matching color by using color pigment and curing complete in all respect and as directed by Engineer in charge.	115.00	Sft		
4	Water Closet (WC) Indian Type Large size	Providing and fixing squatting type water closet with integral treads any approved make including cost of inlet pipe cistern and lid cistern kit, stop cock deluxe type and other accessories, fittings, brackets, PVC down pipe, rubber rings/washers, P-Trap 4", making requisite number of holes in walls, plinth and floor for pipe connection and making good with approved material complete in all respect and as directed by Engineer in charge	2.00	No		
5	Wash Basin	Providing and fixing export quality Earthenware WASH BASIN manufactured by any approved company including cost of inlet pipe cistern and lid, cistern kit stop cock deluxe, Earth ware Pedestal and other accessories, fittings material such as brackets PVC down pipe rubber rings / washers, Basin pipes making requisite number of holes in walls plinth and floor for pipe connection and making good with approved material. Complete in all Respect And as per Engineer In charge.	1.00	No		
6	Weather Shield	Applying weather resistant paint coating such as ICI weather shield, Berger weather coat or equivalent to interior or exterior walls or ceiling including supplying all labour, materials, scaffoldings and removal of debris etc. @ at least 3.50 litre per 10	448.00	Sft		
7	Distemper	Distemping with synthetic vinyl emulsion paint of approved shade on old surface of walls and ceiling including dusting, sand papering and cleaning in basement and ground floor. Three coats (@ at least 1.75 Litre per 10 Sq.m)	375.00	Sft		
8	Water Connection Pipe PPRC 1"	Providing, laying, cutting, jointing, testing and disinfecting PPRC 1" pipes, complete in all respects with specials and valves etc. including all fittings, connections and jointing material.	50.00	Rft		
9	PVC pipe 4"	Providing, laying, cutting, jointing, testing and disinfecting PVC pipes confirming to BSS-3505/PS-20 or Approved Quality complete in all Respect and as per directed by Engineer.	40.00	Rft		
10	Bib Cock	Providing and fixing Brass Bib Cock/Stop Cock of approved make.1/2"(12mm)Dia.	2.00	No		

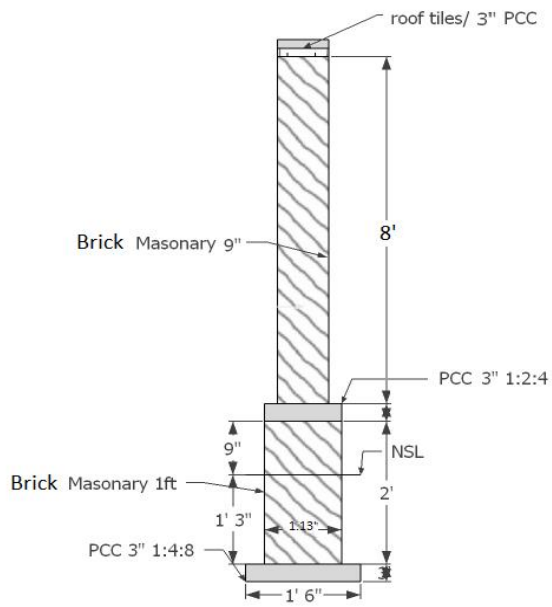
11	Plastic water over head Tank 300 Gallon	Providing and fixing LDPE /Plastic Water overhead tank 300 gallon good manufactured on top of any floor	1.00	No		
----	--	---	------	----	--	--

12	Water Cooler	Providing and installation Water Cooler as per following specifications complete in all respect including Filter, fitting and joint of pipes 65 Litre Capacity, Prime Copper Wrapped Steel Tank & Electric Fan Motor, Food Grade Non-Magnet Water Tank Prime Grade Insulation, Condenser (With Protection Cover), Stainless Steel Body (With Colored Back	1.00	No		
13	Irani Plastic Pipe Role	Providing Irani Pipe approved by engineer in charge, Dia 0.5"	100.00	Rft		
14	Centrifugal Water motor Pump	Providing and fixing at Site Electric Motor, complete in all respects	1.00	No		
15	Sign Board	Supply and Installation of 01 Sign Board Complete in all Respect and as per IR Design. Diagram attached below High = 8 feet Width = 7 feet	1.00	Job		
Total Amount(Inclusive of Taxes, Deliveries, Transportation & Installation)						

Repair and Rehabilitation of Govt GHSS Aziz Abad Kharan					
A-Estimate of Construction of 02 New Latrines					
S.NO	DESCRIPTION	QUANTITY	UNIT	RATE	Total AMOUNT
	Excavation /Earth work				
1	Excavation in foundation of buildings and bridges including layout, dressing, refilling around structures with excavated earth, watering & ramming lead upto 100 ft. (30m) & lift upto 5 ft. (1.5m)	117.00	Cft		
	PCC 1:4:8				
2	Providing and laying plain machine mixed cement concrete using coarse sand and crushed aggregate having maximum size upto 1- 1/2" (38mm) & down gauge in foundation including levelling, compacting and curing. (1:4:8)	19.50	Cft		
	Brick Masonry 1:3				
3	Providing and laying first class solid burnt brick masonry (Brick Strength:1800psi-2000psi) including scaffolding, raking out joints and curing in ground floor superstructure and i/c cost of testing Upto 4.5" (115 mm) nominal thick brick work Cement sand 1 : 3	138.32	Cft		
	Super Structure				
4	Providing and laying first class solid burnt brick masonry (Brick Strength:1800psi-2000psi) including scaffolding, raking out joints and curing in ground floor superstructure and i/c cost of testing Upto 4.5" (115 mm) nominal thick brick work Cement sand 1 : 3	206	Cft		
	PCC 1:2:4				
5	Providing and laying plain machine mixed cement concrete (1:2:4) using coarse sand and crushed aggregate having maximum size upto 1- 1/2" (38mm) & down gauge in foundation including levelling, compacting and curing.	68.00	Cft		
	Plaster 1:3				
6	3/4 inch (19mm) thick cement plaster using Coarse Sand on walls and columns in basement, plinth and ground floor including making edges, corners and curing. using 1 : 3 Ratio.	702	Sft		
7	T-Iron (800 g) on Roof Top of Latrine	72	Rft		
8	Roof Tiles (1' X 1')	72	Sft		

9	Ceramic Tiles				
	Providing and laying 1/4" to 3/8" (6mm to 9mm) thick Glazed/ Matt tiles of any colour and size in ground floor laid over 1" (25mm) thick cement sand mortar base including jointing and washing the tiles with white cement slurry of matching color by using color pigment and curing complete in all respect and as directed by Engineer in charge.	84			
10	Distempering inner wall new surface , 3 coats				
	Distempering with synthetic vinyl emulsion paint of approved shade on old surface of walls and ceiling including dusting, sand papering and cleaning in basement and ground floor. Three coats (@ at least 1.75 Litre per 10 Sq.m)	198	Sft		
11	Weather Shield				
	Applying weather resistant paint coating such as weather shield, interior or exterior walls or ceiling including supplying all labour, materials, scaffoldings and removal of debris etc. @ at least 3.50 litre per 10	280	Sft		
12	Paint	15	Sft		
Sub Total A					
B-Toilet Accessories					
No	Description	QTY	Unit	Rate	Total Amount
13	Providing and fixing squatting type water closet with integral treads any approved make including cost of inlet pipe cistern and lid cistern kit, stop cock deluxe type and other accessories, fittings, brackets, PVC down pipe, rubber rings/washers, P-Trap 4", making requisite number of holes in walls, plinth and floor for pipe connection and making good with approved material complete in all respect and as directed by Engineer in charge	2	No		
14	Electric Work Completed in all respect and Specifications and as directed by the Engineer in charge.	1	Job		
15	S&F 18 SWG MS sheet door with angle iron frame 1.5"x1.5"x1/8" size 2'6"	30	Sft		
16	Ventilators (2 ft x 1 ft) / Jaali	4	Sft		
17	Providing and fixing domestic type water tank of fiber glass 300 Gallon (Double Ply)	1	No		
18	S/F Polypropylene Random copolymer (PPRC) pipe complete in all respect- 1 inch (25 mm) dia along with fittings.	50	Rft		
19	Providing and Installing PVC 4" pipe ILL, any make/brand registered with PSQCA in tube well bore hole and/or laying, cutting, jointing and testing PVC pipe lines in trenches.	20	Rft		
20	Soakage Pit (3'dia x 20' deep) complete in all respect	1	Job		
21	RCC Soakage Pit Cover (4'x4'x0.25') complete in all respect	1	Job		
22	GI Bib Cocks	2	No		
Sub Total B					
Grand Total (A+B) (Inclusive of Taxes, Deliveries, Transportation & Installation)					





Cross Section of Latrines