

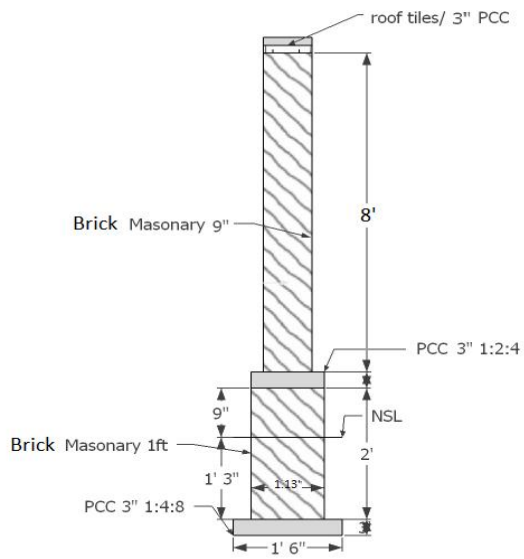
REPAIR AND REHABILITATION OF GOVT GIRLS HIGH SCHOOL AZIZABAD KHARAN						
Estimate of Repair of Washrooms						
S.No.	Item	Specifications	Quantity	Unit	Unit Rate	Total Amount
1	Dismantling	Dismantling of plain cement concrete(1:2:4) floors of two wash rooms.including WC and door.	75.00	Cft		
2	Plain Cement Concrete (1:2:4)	Providing and laying plain machine mixed cement concrete using coarse sand and crushed aggregate having maximum size upto 1- 1/2" (38mm) & down gauge in foundation including levelling, compacting and curing.	24.75	Cft		
3	Plaster Work	Providing and laying 1/2" thick 1:3 plaster with cement sand machine mixed mortar, using approved quality screened sand, including all bends, corners, recesses and also including hacking the concrete surfaces and racking the masonry joints and providing 8" wide strip of wire mesh at masonry concrete joints, wetting the masonry surface and applying neeru base. All plaster to be finished smooth with steel float in true level, line and plumb and properly cured. All work to be completed as per, specifications and as directed by the Engineer.	855.50	Sft		
4	Ceramic Tiles	Providing and laying 1/4" to 3/8" (6mm to 9mm) thick Glazed/ Matt tiles of any colour and size in ground floor laid over 1" (25mm) thick cement sand mortar base including jointing and washing the tiles with white cement slurry of matching color by using color pigment and curing complete in all	127.50	Sft		
5	Water Closet (WC) Indian Type Large size	Providing and fixing squatting type water closet(China) with integral treads ICL Boch/Karam Cera or approved equivalent make including cost of inlet pipe cistern and lid cistern kit, stop cock deluxe type and other accessories, fittings, brackets, PVC down pipe, rubber rings/washers, P-Trap 4",making requisite number of holes in walls, plinth and floor for pipe connection and making good with approved material complete in all respect and as directed by Engineer in charge	3.00	No		
6	Wash Basin	Providing and fixing export quality Earthenware WASH BASIN manufactured by any approved company including cost of inlet pipe cistern and lid, cistern kit stop cock delux ,Earth ware Pedastal and other accessories, fittings material such as brackets PVC down pipe rubber rings / washers ,Basin pipes making requisite number of holes in walls plinth and floor for pipe connection and making good with approved material.Complete in all Respect And as per Engineer In charge.	2.00	No		
7	Weather Shield	Applying weather resistant paint coating such as weather shield interior or exterior walls or ceiling including supplying all labour, materials, scaffoldings and removal of debris etc. @ atleast	378.00	Sft		
8	Distemper	Distemping with Berger/ ICI or equivalent synthetic vinyl emulsion paint of approved shade on old surface of walls and ceiling including dusting, sand papering and cleaning in basement and ground floor.Three coats (@ atleast 1.75 Litre per 10 Sq.m)	450.00	Sft		
9	Water Connection Pipe PPRC 1"	Providing, laying, cutting, jointing, testing and disinfecting PPRC 1" pipes , complete in all respects with specials and valves etc. including all fittings, connections and jointing material.	180.00	Rft		
10	PVC pipe 4"	Providing ,laying ,cutting ,jointing ,testing and disinfecting PVC pipes confirming to BSS-3505/PS-20 or Approved Quality complete in all Respect and as per directed by Engineer.	50.00	Rft		
11	Bib Cock	Providing and fixing Brass Bib Cock/Stop Cock of approved make.1/2"(12mm)Dia.	3.00	No		

12	Plastic water overhead Tank 300 Gallon	Providing and fixing LDPE /Plastic Water overhead tank 300 gallon manufactured by any good company top of any floor	2.00	No		
13	Electric Water Cooler	P/Fixing electric water cooler 65 ltr. i/c all necessary fitting, hardware & carriage from show room to site complete in all respects as directed by Engineer-in-Charge.including so Safe filter 3 stage filter unit 10 inches.	1.00	No		
14	Centrifugal Water motar Pump	Providing and fixing at Site Electric Motor, complete in all respects	1.00	No		
15	Sign Board	Supply and Istallation of 01 Sign Board Complete in all Respect and as per IR Design.(Diagram attached below) High = 8 feet Width = 7 feet	1.00	Job		
GRAND TOTAL(Inclusive of Taxes, Transportaton, Deliveries & Installation)						

REPAIR AND REHABILATION OF GOVT GIRLS HIGH SCHOOL AZIZABAD KHARAN					
A-Estimate of 2 New Washroom					
S.NO	DESCRIPTION	QUANTIT Y	UNIT	RATE	Total AMOUNT
1	Excavation /Earth work				
	Excavation in foundation of buildings and bridges including layout, dressing, refilling around structures with excavated earth, watering & ramming lead upto 100 ft. (30m) & lift upto5 ft. (1.5m)	117.00	Cft		
2	PCC 1:4:8				
	Providing and laying plain machine mixed cement concrete using coarse sand and crushed aggregate having maximum size upto 1- 1/2" (38mm) & down gauge in foundation including levelling, compacting and curing. (1:4:8)	19.50	Cft		
3	Brick Masonry 1:3				
	Providing and laying first class solid burnt brick masonry (Brick Strength:1800psi-2000psi) including scaffolding, raking out joints and curing in ground floor superstructure and i/c cost of testing Upto 4.5" (115 mm) nominal thick brick work	138.32	Cft		
4	Super Structure				
	Providing and laying first class solid burnt brick masonry (Brick Strength:1800psi-2000psi) including scaffolding, raking out joints and curing in ground floor superstructure and i/c cost of testing Upto 4.5" (115 mm) nominal thick brick work Cement sand 1 : 3	206	Cft		
5	PCC 1:2:4				
	Providing and laying plain machine mixed cement concrete (1:2:4) using coarse sand and crushed aggregate having maximum size upto 1- 1/2" (38mm) & down gauge in foundation including levelling, compacting and curing.	68.00	Cft		
6	Plaster 1:3				
	3/4 inch (19mm) thick cement plaster using Coarse Sand on walls and columns in basement, plinth and ground floor including making edges, corners and curing. using 1 : 3 Ratio.	702	Sft		
7	T-Iron (800 g) on Roof Top of Washroom	72	Rft		

8	Roof Tiles (1' X 1')	72	Sft		
	Ceramic Tiles				
9	Providing and laying 1/4" to 3/8" (6mm to 9mm) thick Glazed/ Matt tiles of any colour and size in ground floor laid over 1" (25mm) thick cement sand mortar base including jointing and washing the tiles with white cement slurry of matching color by using color pigment and curing complete in all respect and as directed by Engineer in charge.	84	Sft		
	Distemping inner wall new surface , 3 coats				
10	Distemping with synthetic vinyl emulsion paint of approved shade on old surface of walls and ceiling including dusting, sand papering and cleaning in basement and ground floor. Three coats (@ at least 1.75 Litre per 10 Sq.m)	198	Sft		
	Weather Shield				
11	Applying weather resistant paint coating such as weather shield,interior or exterior walls or ceiling including supplying all labour, materials, scaffoldings and removal of debris etc. @ at least 3.50 litre per 10	280	Sft		
12	Paint	15	Sft		
Sub Total A					
B-Toilet Accessories					
No	Description	QTY	Unit	Rate	Total Amount
13	Providing and fixing squatting type water closet(China) with integral treads ICL Boch/Karam Cera or approved equivalent make including cost of inlet pipe cistern and lid cistern kit, stop cock deluxe type and other accessories, fittings, brackets, PVC down pipe, rubber rings/washers, P-Trap 4",making requisite number of holes in walls, plinth and floor for pipe connection and making good with approved material complete in all respect and as directed by Engineer in charge	2	No		
14	Electric Work Completed in all respect and Specifications and as directed by the Engineer in charge.	1	Job		
15	S&F 18 SWG MS sheet door with angle iron frame 1.5"x1.5"x1/8" size 2'6"	30	Sft		
16	Ventilators (2 ft x 1 ft) / Jaali	4	Sft		
17	Providing and fixing domestic type water tank of fiber glass 300 Gallon (Double Ply)	1	No		
18	S/F Polypropylene Random copolymer (PPRC) pipe (Popular, Turk Plast or equivalent) complete in all respect- 1 inch (25 mm) dia along with fittings.	50	Rft		
19	Providing and Installing PVC 4" pipe ILL, registered make with PSQCA in tube well bore hole and/or laying, cutting, jointing and testing PVC pipe lines in trenches.	20	Rft		
20	Soakage Pit (3'dia x 20' deep) complete in all respect	1	Job		
21	RCC Soakage Pit Cover (4'x4'x0.25') complete in all respect	1	Job		
22	GI Bib Cocks	2	No		
Sub Total B					
Grand Total (A+B)(Inclusive of Taxes, Transportation, Deliveries & Installation)					

Diagram-Cross Section Latrine



Cross Section of Latrines

Diagram-Front

